



The new Actros

6x4 Rigid

L-Cab ClassicSpace

170mm Engine Tunnel

2651, 2653

Mercedes-Benz

Trucks you can trust



6x4 Rigid

L-Cab ClassicSpace
170mm Engine Tunnel

The extensive range of Rigid models from Mercedes-Benz Trucks set new standards in light-duty and local distribution haulage, thanks to its high efficiency and reliability. Designed to meet modern business needs, each model offers a versatile, application specific configuration for a wide range of sectors. The Rigid models from Mercedes-Benz Trucks are star-quality trucks ahead of their time.

Models at a glance

Model	Engine and transmission	Cab	Weight front	Weight rear
Actros 2651	OM 471, 510hp + G281-12	L-Cab Classic 2.3 with 170mm tunnel	5,052	3,868
Actros 2653	OM 471, 530hp + G281-12	L-Cab Classic 2.3 with 170mm tunnel	5,052	3,868

Weights include full AdBlue, 75kg driver, no fuel.



L-Cab ClassicSpace 2.30m, tunnel 170mm

Model Specifications

Engine

Engine Model	OM 471	OM 471
Capacity	12.8l	12.8l
Power	375kW (510hp)	390kW (530hp)
Torque	2500Nm (1,844ft.lb)	2600Nm (1,918ft.lb)

Cab

Multimedia cockpit

Truck navigation

Digital radio

Driver's suspension seat, standard

Fold-up co-driver's seat

Air conditioning system

Windscreen, tinted, with filter band

Optional equipment

- Driver's suspension seat, comfort
 - Co-drivers suspension seat, comfort
 - Automatic climate control
 - Cab rear wall with window
 - Sun visor, exterior, transparent
 - Curtain, for rear wall window¹
 - MirrorCam
 - Two additional remote control keys
 - Multimedia cockpit, interactive
 - Toolkit
 - Internal yellow grab handles
 - Construction-site filter
 - Mercedes star, illuminated from behind
 - Adjustable air deflectors
 - Air deflector, snap-in, with cab side deflectors
 - Cab roof air horns
 - Extended central locking
 - Compressed-air gun with hose
 - Pull-out refrigerator under bed
 - L-Cab StreamSpace 2.30m, tunnel 170mm
 - L-Cab StreamSpace 2.30m, tunnel 320mm
 - Upper Bunk²
 - Curtain along side of bed(s)
-

Driveline

G281 - 12 speed PowerShift Transmission with single plate clutch and 3.077 RAR engine RPM 1,591 @ 100km/h

Optional equipment

- Predictive Powertrain Control
 - Power Take Off (PTO) MB 131-2c, pump
 - Engine Power Take Off (PTO), rear, c, hydraulic pump ISO 7653D
-

Front axle and suspension

7.5t offset front axle with 7.5t two leaf springs

Rear axle and suspension

Two x 13.0t hypoid rear axle with differential locks, four bag rear air suspension

Optional equipment

- Axle load measuring device³
-

Brakes

Disc brake, with Electronic Braking System (EBS)

Anti-lock Braking System (ABS)

Traction Control System (ASR)

High performance engine brake

Trailer brake, 2-line, brake connections, left

Stability control assist

Electronic park brake with HOLD function

Optional equipment

- Independent trailer brake
 - Independent trailer brake, electronic
-

Wheelbase and frame

5500mm wheelbase with 2850mm rear overhang

Optional equipment

- Wheelbase 5200mm⁴
 - Wheelbase 5800mm⁵
 - Frame overhang 3150mm⁶
-

Electrical

Chassis mounted battery carrier left hand side

100A alternator with two 220Ah AGM batteries

2nd generation PSM (Body Interface Module)

Mercedes-Benz Telematics hardware and MB Uptime Assist

Mercedes-Benz Telematics 12 month complimentary access

Fleet Management System (FMS) gateway

Bi-xenon headlamps

LED daytime runnings light + LED tail light

Air horn, below cab

Frame mounted battery carrier left hand side

Optional equipment

- Comfort telephony, wireless charging
 - 12V trailer lighting voltage reducer
 - UHF radio GME TX4500S
 - UHF radio GME XRS370C
 - Additional socket, 12V/15A, co-driver footwell
 - Body interface, behind cab
 - Floodlight, bottom
 - Pre-installation for rotating beacons
 - Pre-installation for additional headlamps, roof
 - Pre-installation for additional indicator lights
 - Pre-installation for flood lamp, cab rear wall
 - Pre-installation and display for up to four cameras
-

Safety

Front facing and kerb mirrors

Automatic park brake engage with door open and 0km/h

Automatic park brake engage with engine switch off

Driver airbag

Seat belt monitor

Rain sensor

Light sensor

Optional equipment

- Safety Pack, inclusive of Lane Keep Assist, Attention Assist, Active Brake Assist 5, Proximity Control Assist, comfort driver's suspension seat and automatic main/dipped beam and cornering light
 - Tyre pressure monitor
-

Fuel, AdBlue and exhaust

390l aluminium fuel tank left hand side

60l AdBlue tank left hand side

Exhaust system, tailpipe to right and outwards

Optional equipment

- Fuel tank, 290l, left hand side, 650W x 565H
 - Second tank, 290l, right hand side, 650W x 565H
 - Fuel tank, 500l, left hand side, 650W x 565H
 - Second tank, 500l, right hand side, 650W x 565H⁷
 - Fuel tank, 390l, right hand side, 650W X 565H
-

Wheels and tyres

8.25" x 22.5" steel rims with 295/80R 22.5 tyres

Optional equipment

- 8.25" x 22.5" Dura-Bright rims
 - Spare rim and tyre
-

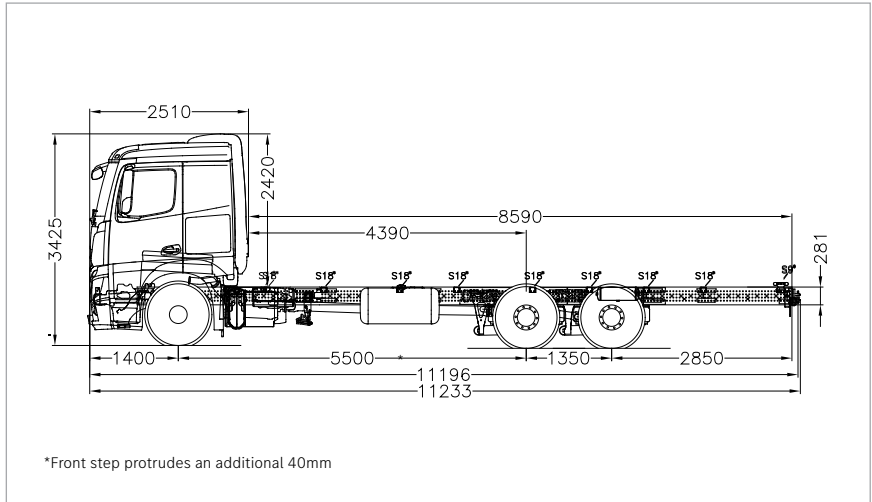
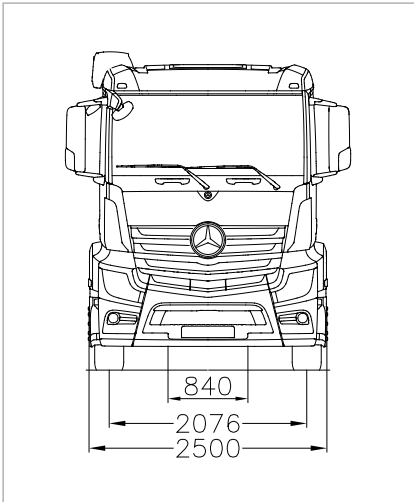
Maximum weights

26,000kg GVM, 45,000kg GCM

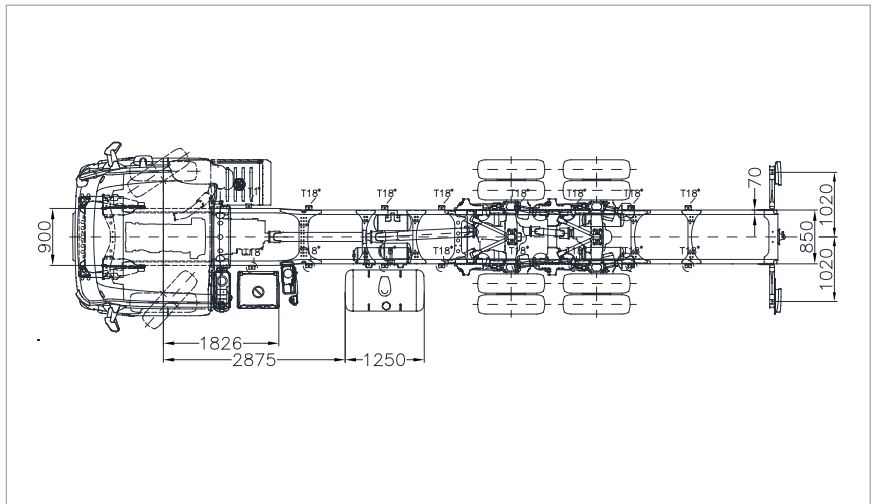
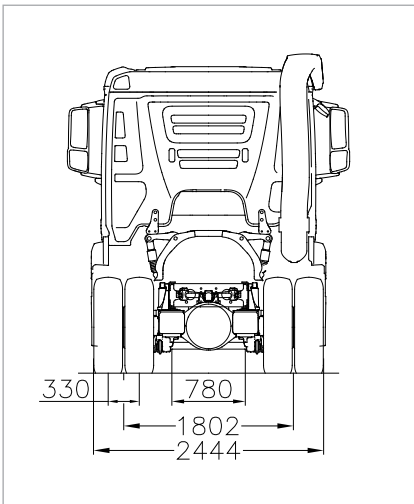
Warranty

2 year bumper to bumper with 4 year/800,000km driveline warranty

Chassis drawing and dimensions



*Front step protrudes an additional 40mm



¹ Only with cab rear wall with window

² Only with StreamSpace cab

³ Indication only - not certified

⁴ Overhang changes to 2250mm

⁵ Steering wheel changes to 500mm, drivers airbag not available

⁶ Only with 5800mm wheelbase

⁷ Only with 500l left tank

Please note: changes may have been made to the product since this publication went to press (November 2020). The manufacturer reserves the right to make changes to the design, form, colour, specifications to the vehicles or optional equipment without notice, including during the delivery period. The illustrations and texts may include accessories and items of special equipment which are not part of standard specification. Colours may differ slightly from those shown in the brochure, owing to the limitations of the printing process. The images shown are to be considered examples only and do not necessarily reflect the actual state of the original vehicles. The appearance of the original vehicles may differ from these illustrations. Subject to change. This publication may also contain models and services which are not available in certain countries. This brochure is distributed internationally. It provides a general indication of the range of models, features, special equipment and/or colours available in various countries. Some of the models, features, special equipment and/or colours may not be available in your country, or may only be available in a different specification. Additionally, some models, features, special equipment and/or colours may only be available in combination with others. Some equipment depicted either on vehicle illustrations or separately may be non-standard or options and may, where applicable, be available at an additional cost. For current and more specific information on the availability, design features and prices of all models, features, optional extras and/or colours available in Australia or New Zealand, you should contact your authorised Mercedes-Benz Truck Dealer on 1800 033 557 or go to https://www.mercedes-benz-trucks.com/en_AU (Australia), or https://www.mercedes-benz-trucks.com/en_NZ (New Zealand).

Daimler Truck and Bus Australia Pacific Pty Ltd. Mulgrave, Victoria, Australia. ACN 618 413 282. Printed in Australia.