

FIGHTER

FUSO

Fighter 1627 Euro 6.

4x2 / 6-SP MANUAL / STEEL or AIR SUSP.



OUR SAFEST FIGHTER YET WITH ACTIVE MITIGATION BRAKE, LANE DEPARTURE WARNING SYSTEM, ELECTRONIC STABILITY PROGRAM AND ACTIVE SIDEGUARD ASSIST AS STANDARD.

GVM

16,000 KG

GCM

16,000 KG

Power/Torque

199_{KW} / 785_{NM}

- Medium rigid licence required.
- Actual vehicle may differ from above image

DAIMLER

FUSO.COM.AU

FUSO

JOB DONE

SPECIFICATIONS

FUSO

FIGHTER

MODEL

A	4x2 1627 Steel Susp. SWB 6 Sp. MAN - FM65FH6RFAH
B	4x2 1627 Steel Susp. XLWB 6 Sp. MAN - FM65FM6RFAH
C	4x2 1627 Steel Susp. XXLWB 6 Sp. MAN - FM65FS6RFAH
D	4x2 1627 Air Susp. XXLWB 6 Sp. MAN - FM67FS6RFAH

WHEEL BASE

4280mm
5550mm
6500mm
6500mm

GVM (optional)

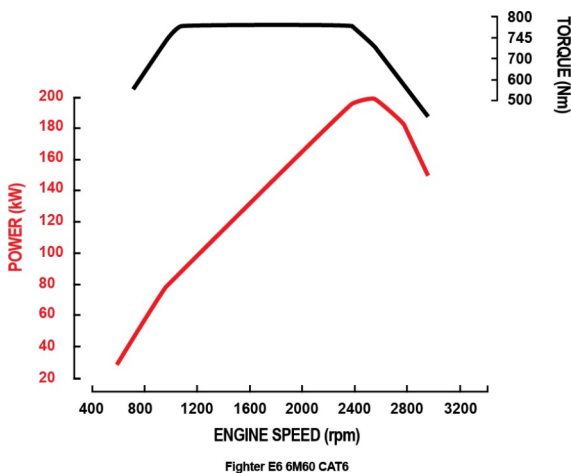
16,000kg
16,000kg
16,000kg
16,000kg

GCM (optional)

16,000kg
16,000kg
16,000kg
16,000kg

Engine

Engine Version	FUSO 6M60-CAT6 Diesel
Configuration	6 Cyl. In-line OHC, 4-Valve
Type	Variable Geometry Turbo Charged Air to Air Intercooler
Displacement	7.5 litre (7545cc)
Bore	118mm
Stroke	115mm
Power (ECE R85-00)	199kW @ 2500 rpm
Torque (ECE R85-00)	785Nm @ 1100-2400 rpm
Maximum Engine Speed	2900 rpm
Compression Ratio	16.0:1
Cooling System / Oil Cooler	Water cooled, 23.0L capacity/ Plate type engine oil cooler
Air Cleaner	Paper Element Type with Restrictor Indicator. Mounted Underbody (RH)
Emission Control	Diesel Particulate Filter (DPF) Exhaust Gas Recirculation (EGR) Selective Catalytic Reduction (SCR)
Emission Level	ADR 80/03 - Euro VI



Fuel

Injection System	DENSO Common Rail System Electronically Controlled Direct Injection
Tank Type	Rectangular Steel Tank with Locking Cap
Fuel Capacity *	A 200 Litres, B C D 300 Litres
AdBlue Exhaust Fluid Capacity	49 Litres, Tank fitted with locking AdBlue cap
Speed Limiter	Speed Limited 100km/h
Notes	*Max Fill to approx 95% of Air Capacity

Cooling

Fan Drive	Electronically controlled (Viscous)
Radiator	Corrugated Fin with Expansion Tank

Electrical

Voltage	24V Negative Earth
Alternator Capacity	24V-80 amp
Starter Capacity	24V-5.0kW
Battery Capacity	2x12V, 80Ah/5hr
Battery Specification	95E41R X2
Headlamp Type	Halogen
Headlamp Capacity	Low beam 2x70W High beam 2x70W
Fog Light	Halogen

Clutch

Clutch Model	FUSO C7M38
Type	Single Plate
Operation/Specification	Air Assisted Hydraulic

Transmission

Version	FUSO Manual M070S6-DD
Type/Speeds	6 with Air Assisted Gearshift
Features	Synchromesh 2nd-6th
Ratios	1st: 8.064 2nd: 5.443 3rd: 3.064 4th: 1.824 5th: 1.321 6th: 1.000 Rev. 7.354
PTO Opening	LH Side

Propeller Shaft

Type	P10
Universal Joint	Needle Roller

Front Axle

Axle Version	FUSO F650T
Type	Reverse Elliot 'I' Beam
Capacity *	6300kg
Notes	*See MAX LOADING for vehicle capacity.

Front Suspension

Type	Parabolic Leaf with Double Acting Shock Absorbers
Size	1400x80mm Leaves

Rear Axle

Type	Full Floating Banjo Type
Axle Version	FUSO R060T/D8H
Capacity*	10200kg
Ratio	A 5.142:1, B C D 4.444:1
Notes	*See MAX LOADING for vehicle capacity.

Rear Suspension

Type	A B C Steel Suspension, D Air Suspension
Details	A B C Semi-Elliptic Leaf, D Trailing Arm with Double Acting Shock Absorber and CLCS
Size Main Leaves	A B C 1400x80mm, D N/A
Size Helper Leaves	A B C 960x80mm, D N/A
Air Spring	A B C N/A, D 2x250mm dia.
Trailing Arm	A B C N/A, D 615+380 x 80 x 35 - 2 Leaves
Road Friendly Certification Number	N/A
Capacity at Ground *	A B C N/A, D 10000kg total
Notes	CLCS - Chassis Level Control System. Electronic height control of air suspension via steering wheel. 2 memory positions.

SPECIFICATIONS



FIGHTER

MODEL	WHEEL BASE	GVM (optional)	GCM (optional)
A 4x2 1627 Steel Susp. SWB 6 Sp. MAN - FM65FH6RFAH	4280mm	16,000kg	16,000kg
B 4x2 1627 Steel Susp. XLWB 6 Sp. MAN - FM65FM6RFAH	5550mm	16,000kg	16,000kg
C 4x2 1627 Steel Susp. XXLWB 6 Sp. MAN - FM65FS6RFAH	6500mm	16,000kg	16,000kg
D 4x2 1627 Air Susp. XXLWB 6 Sp. MAN - FM67F6RFAH	6500mm	16,000kg	16,000kg

Max Loading

Front	6000kg
Rear	10000kg
Total	16000kg
Notes	GCM 16,000 kg, no towing capacity.

Options

Options	R34: Limited Slip Differential - FM65FH R35: Engine Flywheel PTO - FM65FH Max. Output Torque, 300Nm Drive Ratio, 0.635:1 Rotation, Same as Engine.
---------	--

Steering

Type	Integral Power Assisted Ball and Nut
Steering Column	Tilt/Telescopic Adjustable

Brakes

Type	Full Air, Dual Circuit, FUSO Taper Roller, ABS, Automatic Brake Adjustment
Size Front	410x150mm
Size Rear	410x200mm
Park Brake	Rear Wheel Spring Actuated
Auxiliary	Exhaust Brake
Compressor	Water Cooled, 340cc Single Cyl.

Wheels & Tyres

Wheel Type	7 x Single Piece Steel Disc Including Spare
Wheel Size	22.5x8.25DC-165-13t
Wheel Stud Pattern	10x335mm PCD
Tyre Size All	A 11R22.5 148/145L B C D 275/70R22.5 148/145L
Spare Tyre Carrier	Provided

Chassis

Type	Parallel Channel
Size	280x90x8.0mm
Width	841mm
Tensile Strength	540 MPa

Instruments

Gauges	Speedometer Tachometer Fuel Level Air Pressure AdBlue Level
Colour Information Display	Odometer Tripmeter (x2) Hour Meter (x2) Outside Temperature AdBlue Level DPF Information Driving Range (Fuel and AdBlue) Current Vehicle Speed Cruise Control Lane Departure Warning Active Attention Assist Warning Alarm Clock Level Control Service Indicator & Reminder System Air Pressure Coolant Temperature Engine Oil Level & Running Time

Multi-Media Package

Satellite Navigation	Maps with heavy vehicle weight, length, height & hazardous material selectable restrictions with 3 years of Map updates
Colour Display	6.2 inch LCD with touch screen control
Phone Connectivity	Bluetooth® hands free
Audio Visual Entertainment	Bluetooth® music streaming compatible Digital radio DAB+ (also AM/FM for areas not covered by DAB+) USB & 3.5mm/AUX port
Reversing Camera	1 Reverse Camera fitted as standard
Compatible	Display can accept up to 4 additional cameras#
Optional Accessories	Rear Mounted Parking Sensor Kit High or Low (available at additional cost) Tyre Pressure Monitoring System

Cab Features

Type	All Steel Forward Control Manual Tilt 44 deg.
Mounting	Hydroelastic Susp. 4 Point
Colour	Natural White
Interior	Fully Trimmed
Windscreen Wipers	Automatic 2 Speed + Intermittent Cycle with Integrated Washer Nozzles
Rear Vision Mirrors	Remote / Heated with Convex Spotter (Both sides)
Seating Capacity	3
Seat Belts	2 ELR Lap Sash, 1 Lap Driver pre-tensioner
Seat (driver)	ISRI Suspended with Weight Adjustment, LH Arm Rest and Lumbar Support
Seats (passenger)	Centre: Low Back with Fabric Trim Forward Folding Far Passenger: Fixed Base with Reclining Seat Back, Integral Headrest and Fabric Trim

Active Safety

Safety Systems	AMB plus - Active Mitigation Brake ESP - Electronic Stability Program AAA - Active Attention Assist ASA - Active Sideguard Assist LDWS - Lane Departure Warning System ABS - Anti-lock Braking System DRL - Daytime Running Lamps
Reverse Warning	Wide Dynamic Range Camera and Buzzer
Notes	Active Safety Systems primary function is to provide driver assistance to increase road safety in events of driver inattentiveness. These systems do not allow for lack of attention whilst driving and should not replace safe and alert driving.

Passive Safety

Airbags	SRS Airbag - Driver
Seat Belts	Driver Seat Belt Pre-tensioner

Service Intervals

Interval*	20,000km or 12 Months whichever occurs first
-----------	--

Warranty

Basic/Powertrain	5 Years or 350,000kms (whichever occurs first)
------------------	--

Performance

Turning Circle (kerb to kerb - metres)	A 14.6	B 18.4	C D 21.4
Electronically Speed Limited to:	100km/hr Conforms to ADR65/..		
Gradeability at Rated GVM (theoretical)*	A 36%	B C D 34%	
Notes	*This is theoretical performance only. Actual performance may vary under different conditions		

SPECIFICATIONS

FUSO

FIGHTER

MODEL

A	4x2 1627 Steel Susp. SWB 6 Sp. MAN - FM65FH6RFAH
B	4x2 1627 Steel Susp. XLWB 6 Sp. MAN - FM65FM6RFAH
C	4x2 1627 Steel Susp. XXLWB 6 Sp. MAN - FM65FS6RFAH
D	4x2 1627 Air Susp. XXLWB 6 Sp. MAN - FM67FS6RFAH

WHEEL BASE

4280mm
5550mm
6500mm
6500mm

GVM (optional)

16,000kg
16,000kg
16,000kg
16,000kg

GCM (optional)

16,000kg
16,000kg
16,000kg
16,000kg

Mass estimated*

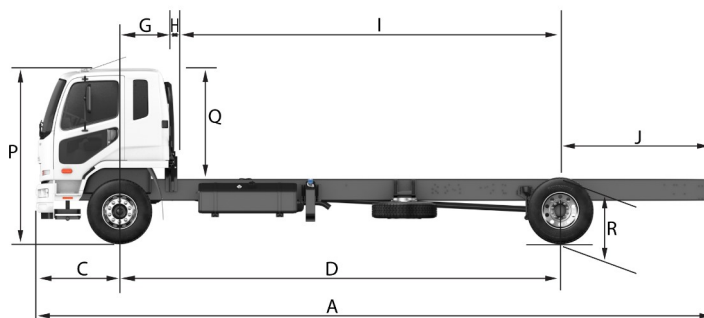
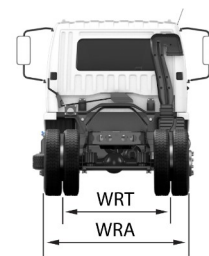
Front*	A	B	C	D
	2965kg	3040kg	3115kg	3120kg
Rear*	A	B	C	D
	1925kg	1905kg	1980kg	1935kg
Total*	A	B	C	D
	4890kg	4945kg	5095kg	5055kg
Notes	* Mass (est.) includes oil and water but excludes spare wheel, tools & fuel. Weights provided are subject to 3.5% variation (+/-)			

Dimensions mm

WFF (Width Front Fender) (mm)	2450			
WRA (Width Rear Axle) (mm)	2470			
WFT (Width Front Track) (mm)	1925			
WRT (Width Rear Track) (mm)	1850			
Width Frame (mm)	841			
A - Length Overall (mm)	A	B	C D	
	7455	9325	10695	
C - Front Overhang (mm)	1245			
D - Wheelbase (mm)	A	B	C D	
	4280	5550	6500	
G - Front Axle to Rear of Cab (mm)	745			
H - Rear of Cab to Rearmost Item Behind Cab (mm)	75			
I - Rearmost Item Behind Cab to Rear Axle (mm)	A	B	C D	
	3460	4730	5680	
J - Frame, Rear Axle to End (mm)	A	B	C D	
	1930	2530	2950	
N - Height Overall (mm)	A	B C D		
	2680	2630		
R - Height Rear Frame to Ground (mm)	A	B	C	D
	1074	1033	1032	969

Body Builder's Notes

Notes	<p>Chassis reinforcement must be utilised for Tipper/Demountable type body configurations. To conform with ADR 13/00 and 14/02 (lighting/mirror requirements) the following must be adhered to at body installation.</p> <ul style="list-style-type: none"> - If other than a flat type or tipper body is fitted, rear end out-line marker lamps must be installed. - If overall length exceeds 6.0 metres, side reflectors must be installed. - If overall length exceeds 7.5 metres, side marker lamps must be installed. - If overall width is less than 2.4 metres, the mirrors must be modified to project not more than 230mm. To conform with ADR 42/04 (General Safety), rear wheel guards must be fitted to the vehicle.
-------	---



FUSO

Call 1800 033 557

or visit fuso.com.au

Unless specified in writing herein the accessories, applications, bodies or equipment depicted in this are for illustration purposes only and may not be available from Daimler Truck and Bus Australia Pacific Pty Ltd. ABN 86 618 413 282 DTB. No representation or warranty whatsoever is given in relation to any accessories, applications, bodies or equipment or suitability of same that are shown herein that may be manufactured, supplied or fitted by a party other than DTB. DTB reserves the right without notice or obligation to discontinue or make changes to the colour, designs, materials and specifications of the products and options referred to herein at any time. For the most current information and in order to ascertain which accessories, applications, bodies and equipment are available from DTB please contact your authorised FUSO Truck and Bus dealer. Fuso is a registered trademark of Daimler Truck and Bus Australia Pacific Pty Ltd. Copyright DTB. Reproduction in whole or part prohibited without written approval. Part Number TSF66A. Valid from 17-May-21.